

# FEATURES

BUILT IN EMI FILTER, LOW RIPPLE NOISE.

LOW COST. HIGH RELIABILITY.

COMPACT SIZE, LIGHT WEIGHT.

105 DEGREES CELSIUS OUTPUT CAPACITOR.

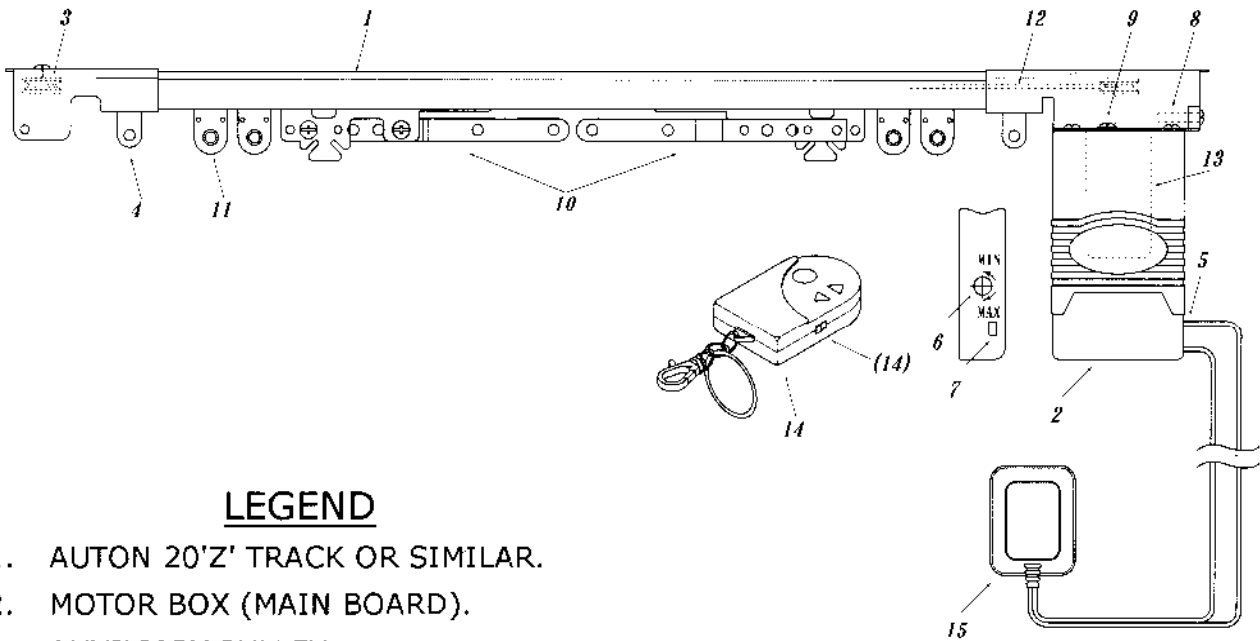
100% FULL LOAD BURN-IN TEST.

INTERNATIONAL AC INPUT RANGE.

SOFT-START CIRCUIT, LIMITING AC SURGE CURRENT.

HIGH EFFICIENCY. LOW WORKING TEMP.

SHORT CIRCUIT, OVER-LOAD, OVER-TEMP & OVER-VOLTAGE PROTECTION.



## LEGEND

1. AUTON 20'Z' TRACK OR SIMILAR.
2. MOTOR BOX (MAIN BOARD).
3. AUXILIARY PULLEY.
4. LOCK SLIDER.
5. DC 12V TERMINAL.
6. ADJ. FOR AUTOMATIC CUT-OFF.
7. POLAR TRANSFER SWITCH.
8. CORD TENSION ADJ. SCREW.
9. MOTOR FIXING SCREWS.
10. MASTER CARRIERS.
11. ROLLER CARRIERS.
12. NYLON CORD = No 15/416 NON STRETCH.
13. MAIN DRIVE DEVICE.
14. REMOTE CONTROL (SWITCH).
15. TRANSFORMER (240v/12v).

## NOTES

- A. THE MOTOR IS FOR USE ON CURTAIN TRACKS ONLY.
- B. THE MOTOR IS DESIGNED FOR USE ON AUTON 20'Z' TRACK OR SIMILAR.
- C. THE MOTOR POWER IS 12V DC.
- D. THE MAX. DRIVE CURRENT IS 0.817A
- E. THE MAX. LOAD IS 20Kg
- F. THE MAX. DISTANCE FOR THE REMOTE CONTROL IS 10M.